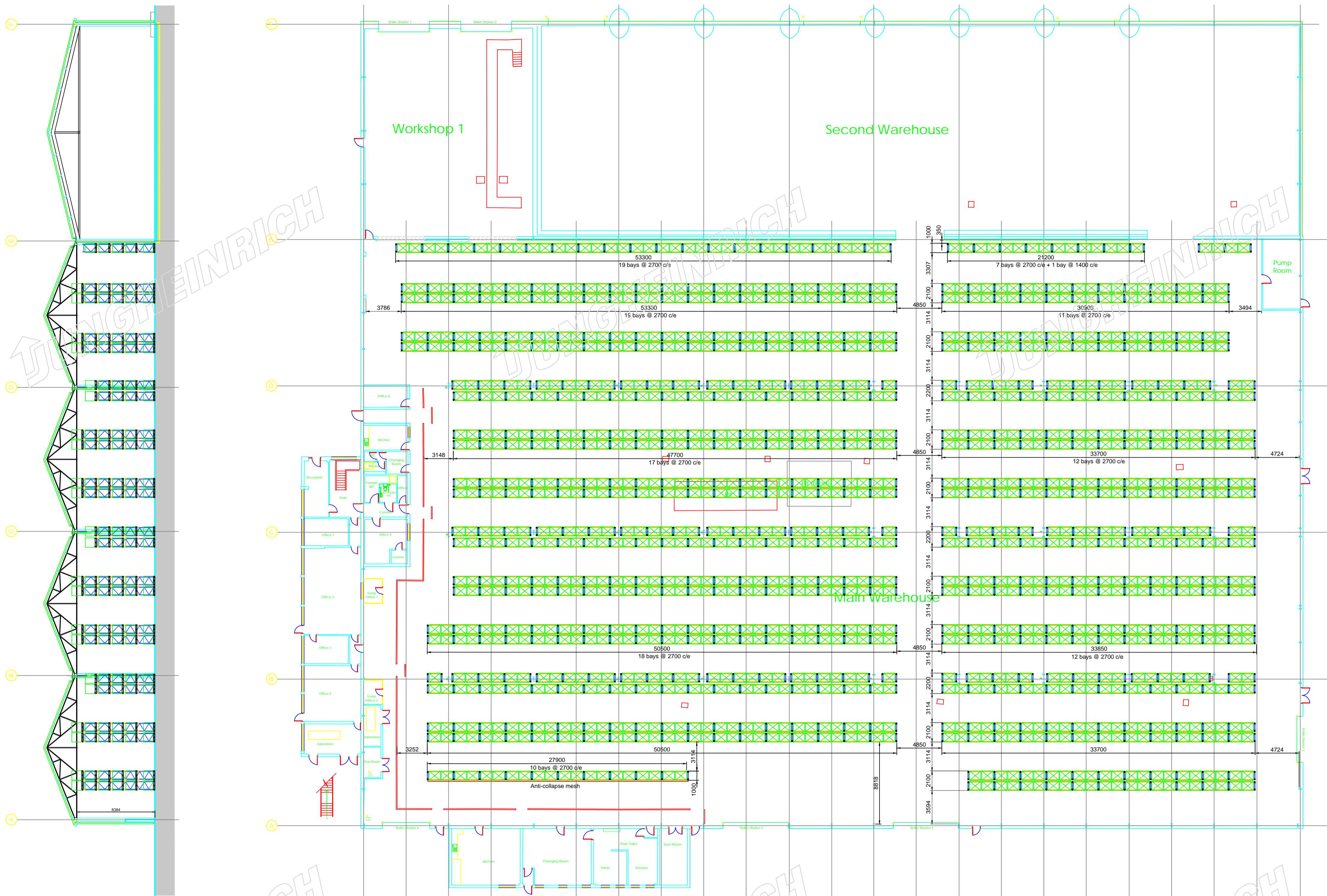


Notes:  
ALL RACK HEIGHT DIMENSIONS ARE FROM THE TOP OF THE BASEPLATE.

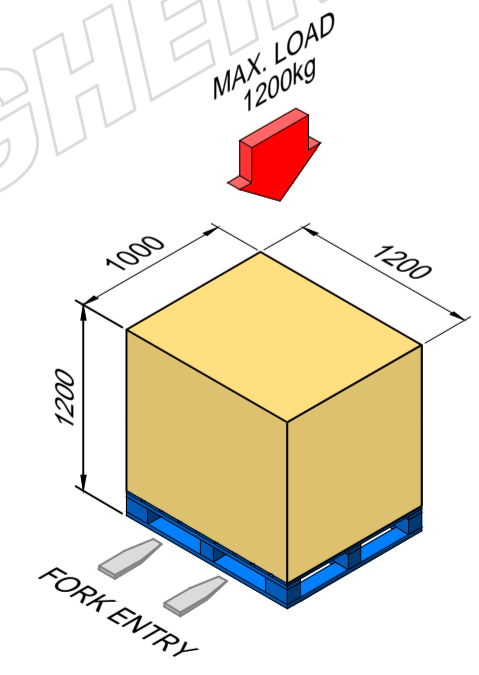
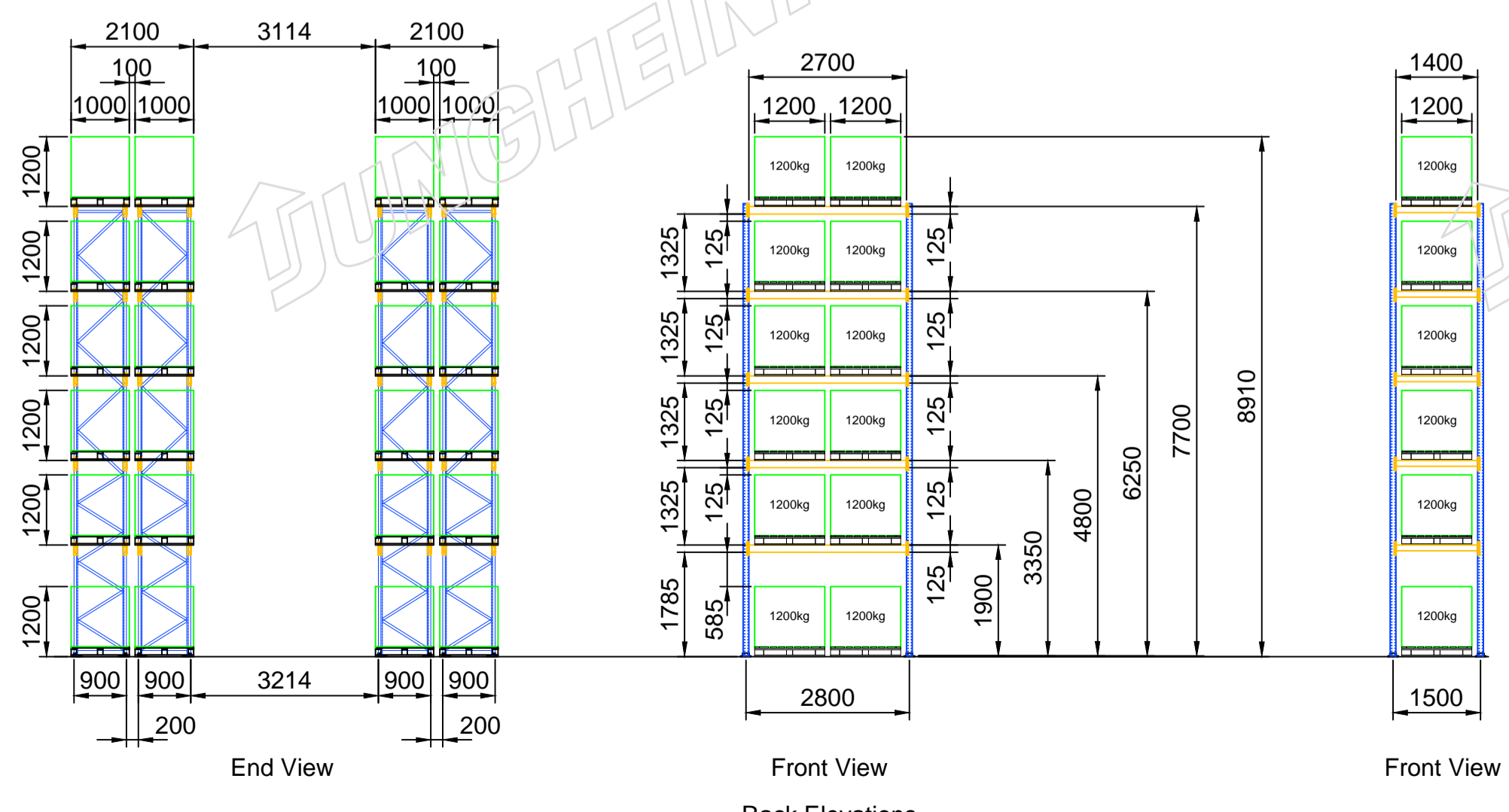
PROVISIONAL DRAWING  
SOR IN 80R? AFION ONLK



JUNGHEINRICH

JUNGHEINRICH

JUNGHEINRICH



Total Pallets 7123

Rev	Description	Date	Name	Auth
Project Title Proposed Rack Layout				
Customer Kans and Kandy				
Drawn	Date	Name	Project Reference No.	
Check	18.05.22	JPM	5200220175	
Scale	NTS		Drawing No.	Issue
			GB21-0175-001	02

**JUNGHEINRICH**  
EUROPA BOULEVARD, GEMINI BUSINESS PARK, WARRINGTON, WA5 7TX.  
TEL: 01925 625415, FAX: 01925 245406, e-mail: cad@jungheinrich.co.uk

Logistics Systems Division

This drawing and the information it contains is confidential and must not be reproduced, copied or used for any purpose without the written permission of JUNGHEINRICH (UK) Ltd. It is the responsibility of the client to ensure that the floor of the premises is of concrete construction, suitably surfaced, and is within the tolerance appropriate to the installation and for the designed application. In addition, it must be capable of safely supporting the loads that will be imposed on it from the trucks and Racking System.